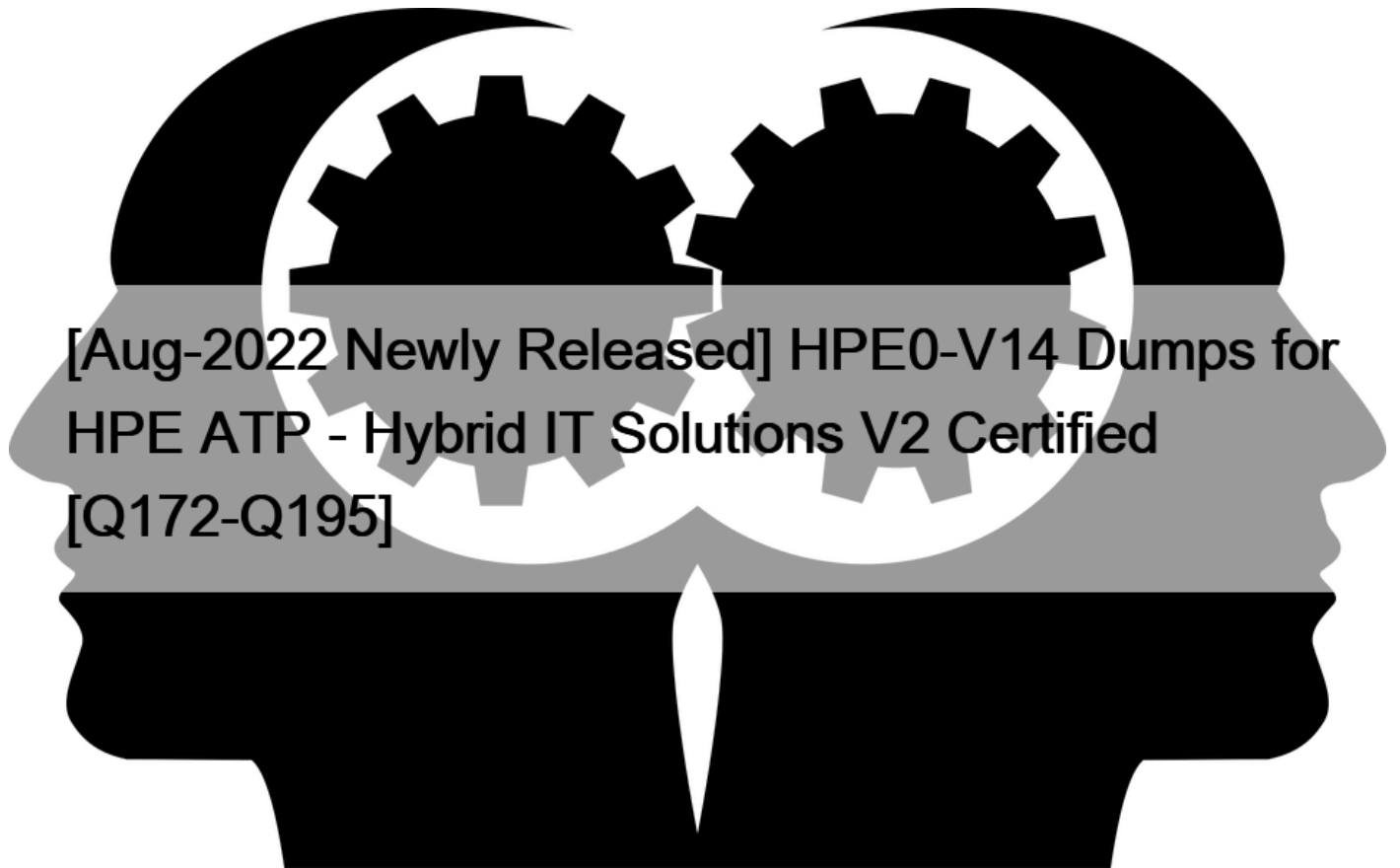


[Aug-2022 Newly Released HPE0-V14 Dumps for HPE ATP - Hybrid IT Solutions V2 Certified [Q172-Q195]



[Aug-2022 Newly Released] HPE0-V14 Dumps for HPE ATP - Hybrid IT Solutions V2 Certified
Updated Verified HPE0-V14 dumps Q&As - 100% Pass

NEW QUESTION 172

A solution integrator is installing new equipment to the rack.

Click the recommended location for HPE R/T3000 Extended Runtime Module.

Hot Area:



NEW QUESTION 173

A Network administrator connects two switches together with multiple links of the same speed, duplex, and media type. The

administrator expected the links to be aggregated, but they are not. The administrator confirmed that the ports are part of the appropriate link aggregation groups and that the permitted VLANs match.

Switch A has the lower LACP System Priority.

Which LACP operation states describe the failure above?

- * Switch A: Active; Switch B: Active
- * Switch A: Active; Switch B: Passive
- * Switch A: Passive; Switch B: Passive
- * Switch A: Passive; Switch B: Active

NEW QUESTION 174

Which HPE tool can you use to ensure a consistent level of firmware exists across all BladeSystem interconnects and servers in an environment?

- * InfoSight
- * OneView
- * Insight Remote Support
- * iLO Federation

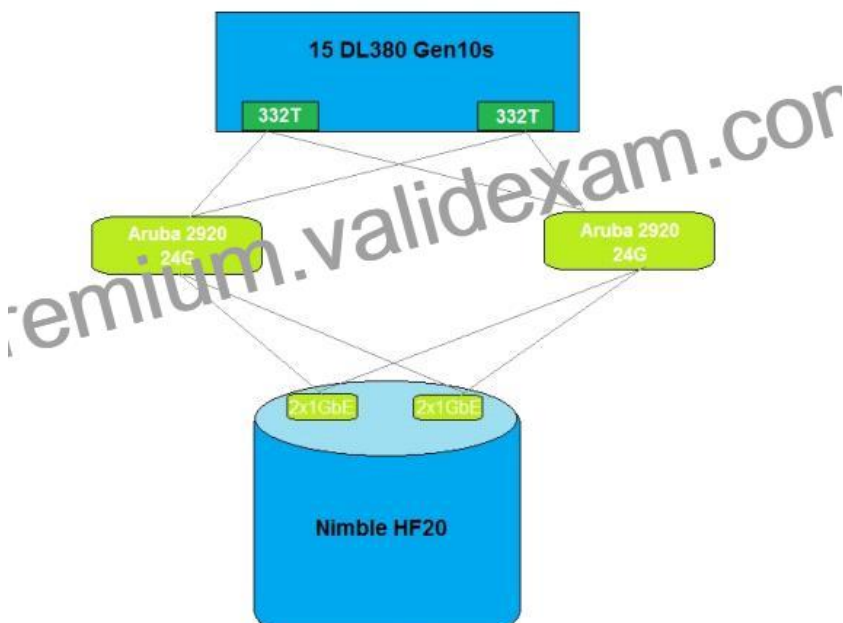
NEW QUESTION 175

A customer has an ESXi server in a branch office They need to perform backups locally. The local backups must be replicated to the main data center with built-in deduplication What should the customer install at the branch office?

- * StoreOnce 3100
- * StoreOnce VSA
- * MSA 2042
- * Storevirtual VSA

NEW QUESTION 176

Refer to the exhibit.



A customer purchased a server/storage environment shown in the exhibit with 1 Gb networking connectivity.

The customer is now experiencing performance issues.

Identify the correct components to upgrade the network connections and improve performance on the left. Then drag those components to the answer area on the right. (Choose three.)

Options

HPE FlexFabric 5710 24 SGT Switch

Aruba 3810M 24SFP+ Switch

HPE Nimble Storage 2x16Gb Fibre Channel 2-port FIO Adapter kit

HPE Nimble Storage 2x10GBASE-T 2-port FIO Adapter Kit

HPE Ethernet 10Gb 2-port 535T Adapter

HPE Ethernet 10Gb 2-port 524SFP+ Adapter

Answer Area



Answer Area

HPE FlexFabric 5710 24 SGT Switch

HPE Ethernet 10Gb 2-port 524SFP+Adapter

HPE Ethernet 10Gb 2-port 535T Adapter

1 – HPE FlexFabric 5710 24 SGT Switch

2 – HPE Ethernet 10Gb 2-port 524SFP+Adapter

3 – HPE Ethernet 10Gb 2-port 535T Adapter

NEW QUESTION 177

You are configuring an MSA 2052 for one of your customers in OCA.

Click on either one of the two places on the Bill of Materials screen that will enable you to verify the configuration and get details

on any errors.

The screenshot displays the 'Advanced One Config' software interface. The top navigation bar includes 'New Configuration', 'Open Configurations', 'Manage MyLibrary', 'Import', and 'Useful Links'. Below this, there are icons for 'Save', 'Export', 'Catalog', and 'New Delegation'. The main content area is titled 'A Customer MSA 2052' and contains a summary box stating 'This is a single solution configuration.' and 'BOM Details for A Customer MSA 2052'. A sidebar on the left lists categories: Summary, Components, Layout, Power, BOM, Customer Intent, and Services. The 'BOM' section is active, showing a table with columns for '+/-', 'Quantity', 'Product #', and 'Product Description'. The table lists several components, including HPE MSA 2052 SAN Du, HPE MSA 1.8TB 12G SA, Factory Integrated, HPE MSA 2050 LFF Dis, and HPE MSA 8TB 12G SAS, along with their respective quantities and product numbers.

+/-	Quantity	Product #	Product Description
[-]	1	Q1J03A	HPE MSA 2052 SAN Du
[-]	22	J9F49A	HPE MSA 1.8TB 12G SA
[☰]	22	J9F49A OD1	Factory Integrated
[-]	3	Q1J06A	HPE MSA 2050 LFF Dis
[☰]	3	Q1J06A OD1	Factory Integrated
[-]	36	M0S90A	HPE MSA 8TB 12G SAS
[☰]	36	M0S90A OD1	Factory Integrated

The screenshot shows the HPE One Config interface for a configuration titled "A Customer MSA 2052". The left sidebar has a "BOM" tab highlighted with a red box. The main content area displays "BOM Details for A Customer MSA 2052" and a table of components. The table has columns for Quantity, Product #, and Product Description. The "BOM" tab in the sidebar is highlighted with a red box.

	+/-	Quantity	Product #	Product Description
	[-]		1 Q1J03A	HPE MSA 2052 SAN Du
Customer Intent	[-]		22 J9F49A	HPE MSA 1.8TB 12G SA
Services	[☰]		22 J9F49A OD1	Factory Integrated
	[-]		3 Q1J06A	HPE MSA 2050 LFF Dis
	[☰]		3 Q1J06A OD1	Factory Integrated
	[-]		36 M0S90A	HPE MSA 8TB 12G SAS
	[☰]		36 M0S90A OD1	Factory Integrated

NEW QUESTION 178

You are installing additional components to a server.

Which HPE resource provides Quickspecs that verify the compatibility of the server hardware with the server?

- * iQuote Universal
- * Smart Selling tool
- * Product Bulletin
- * SPOCK

NEW QUESTION 179

Which hardware and software components make up a Nimble dHCI infrastructure?

- * HPE M-Series switch, HPE ProLiant DL servers, HPE Nimble, and VMware
- * Aruba Switches, HPE Synergy, HPE Nimble, and VMware
- * HPE M-Series switch, HPE ProLiant DL servers, HPE Nimble, and Hyper-V
- * Aruba Switches, HPE Synergy, HPE Nimble, and Hyper-V

Reference:

<https://community.hpe.com/t5/HPE-Storage-Tech-Insiders/HPE-Nimble-Storage-dHCI-Technical-Overview/ba-p/7054163#.XnxfMW5RWQ4>

NEW QUESTION 180

Match the storage technology to the storage type.

Block
File

Answer Area

Technology

Type

iSCSI
CIFS
SAN
NFS

Block
File

Answer Area

Technology

Type

iSCSI
CIFS
SAN
NFS

Block
File
Block
File

NEW QUESTION 181

A customer needs a new environment to support an ERP system. The sizing information you received shows the following requirements:

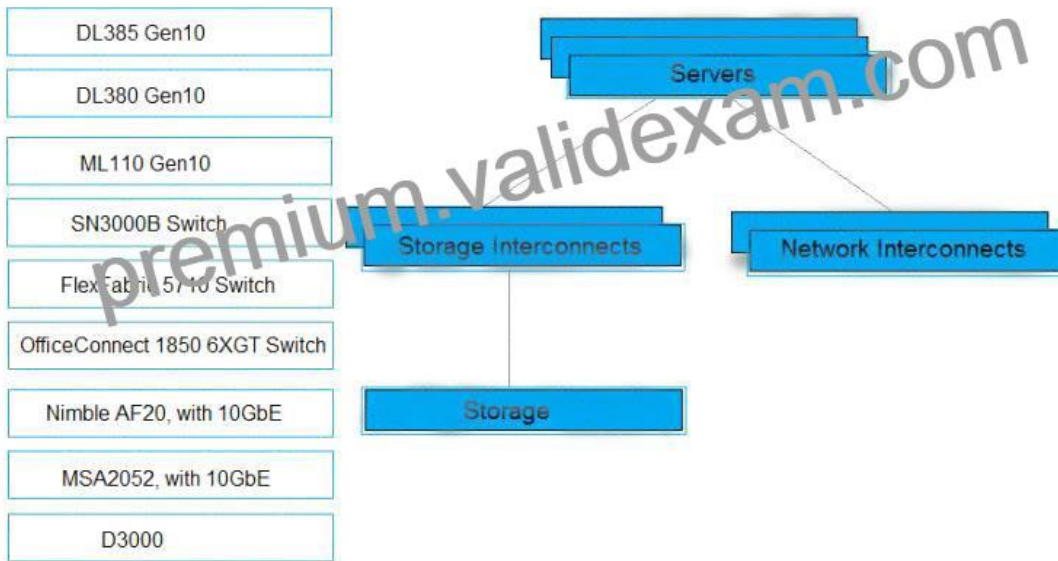
- * 3 servers with dual AMD processors, 256GB RAM, and 10Gb network connectivity
- * 10TB of high performance shared storage
- * Cloud-based performance monitoring and analytics

The customer prefers rack mounted equipment.

Identify the components that will meet the customer requirements, then drag the correct components on the left to their appropriate location in the environment on the right.

Select and Place:

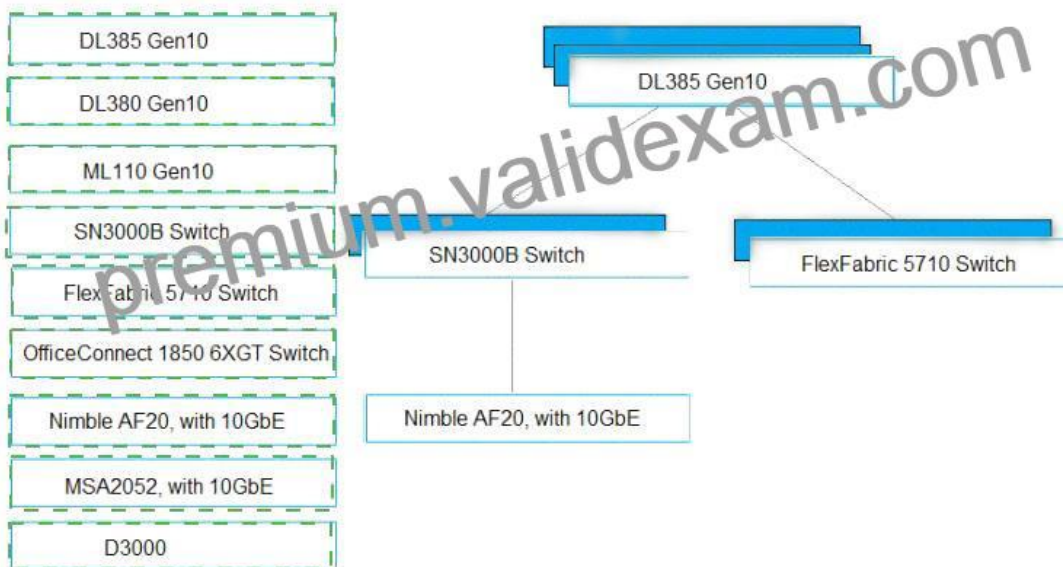
Answer Area



- DL385 Gen10
- DL380 Gen10
- ML110 Gen10
- SN3000B Switch
- FlexFabric 5710 Switch
- OfficeConnect 1850 6XGT Switch
- Nimble AF20, with 10GbE
- MSA2052, with 10GbE
- D3000

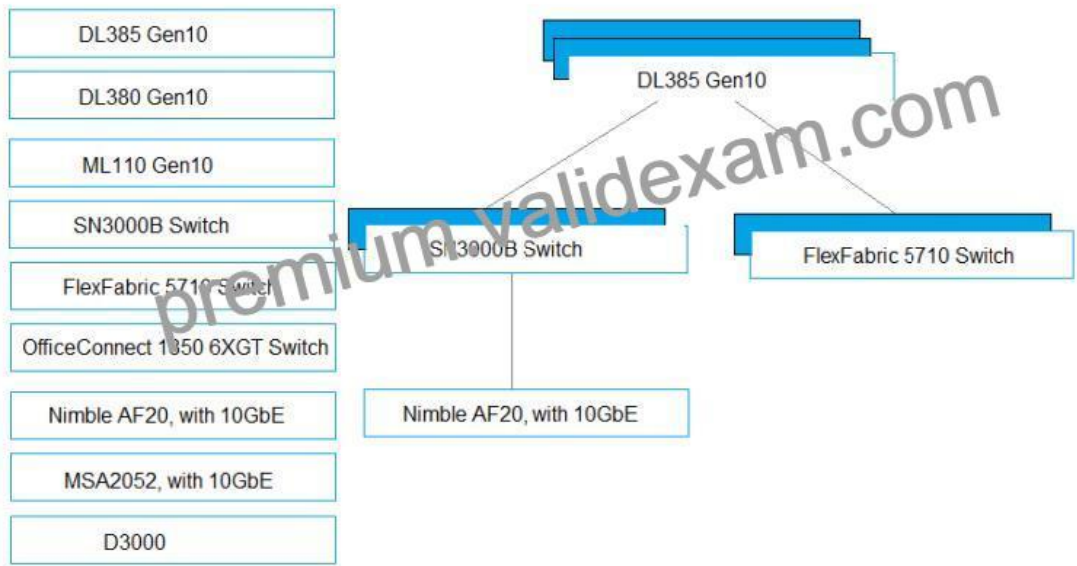
Select and Place:

Answer Area



- DL385 Gen10
- DL380 Gen10
- ML110 Gen10
- SN3000B Switch
- FlexFabric 5710 Switch
- OfficeConnect 1850 6XGT Switch
- Nimble AF20, with 10GbE
- MSA2052, with 10GbE
- D3000

Explanation



NEW QUESTION 182

Match the Networking Product Family to the appropriate use case:

Product	Use Case
Aruba	traditional core and top of rack (ToR) network infrastructure
FlexFabric	software defined datacenter network with ease of automation
Altoline	open networking where customer purchases network OS separately from switch
Arista	campus edge port aggregation

Product	Use Case
Aruba	traditional core and top of rack (ToR) network infrastructure
FlexFabric	software defined datacenter network with ease of automation
Altoline	open networking where customer purchases network OS separately from switch
Arista	campus edge port aggregation

NEW QUESTION 183

Refer to the exhibit.

A Customer Nimble Storage Array

Summary: This is a single solution configuration.

Components: BOM Details for A Customer Nimble Storage Array

Layout: [Expand All](#) [Collapse All](#) [Export Excel](#) [CLIC and Power Check](#) [BOM diff](#)

+/-	Quantity	Product #	Product Description
-	1	Q8H39A	HPE Nimble Storage HF40 Adaptive Dual Controller 10GBASE-T 2-port Configure-to-order Base Array
≡	1	Q8G27B	HPE Nimble Storage NOS Default FIO Software
≡	1	Q8H45A	HPE Nimble Storage HF40/60 Adaptive Array 42 TB (21x2) FIO HDD Bundle
≡	1	Q8H50A	HPE Nimble Storage HF40 Adaptive Array R2 2.88 TB (6x180GB) FIO Cache Bundle
≡	2	Q8I14A	HPE Nimble Storage C19 to C20 250V 16Amp 1.8m PDU Base Array FIO Power Cord
≡	1	R3P91A	HPE Nimble Storage OEM Trk

Item/Subitem	Severity	Product Number	Rule number
0100/01	Unbuildable	Q8H39A	81125348
0100/01	Unbuildable	Q8H39A	81330046
0100/01	Warning	Q8H39A	81330047

Advice Text

Product#: Q8H39A Rule#: 81125348 Item/Subitem: 0100/01
UNBUILDABLE CONFIGURATION:OVERRIDE REQUIRES FACTORY APPROVAL
 When ordering Q8H39A - HPE Nimble Storage HF40 Adaptive Dual Co. minimum and maximum 1 quantity of the following Networking Adapters must be ordered.

Q8B83B FIO HPE NS Embedded 10GBASE-T 2p FIO Adptr
 Q8B84B FIO HPE Nimble Storage 2x1GbE 2-port FIO Adapter Kit
 Q8B85B FIO HPE Nimble Storage 4x1GbE 2-port FIO Adapter Kit
 Q8B86B FIO HPE Nimble Storage 2x10GBASE-T 2-port FIO Adapter Kit
 Q8B87B FIO HPE Nimble Storage 4x10GBASE-T 2-port FIO Adapter Kit
 Q8B88B FIO HPE Nimble Storage 4x10GbE 2-port FIO Adapter Kit

[Download Advice](#) [Done](#)

Power Check

Appliance	Severity	Required Power	Provided Power
There are no products with Power Supply selections availables.			

You are validating a Nimble HF40 configuration created in OCA, and you receive an error when you run a CLIC check.

Which Nimble component needs to be added to the configuration to complete the solution?

- * HPE Nimble Storage HF40/60 Adaptive ES3 21TB HDD 1.44 TB Cache CTO Expansion Shelf
- * HPE Nimble Storage HF40 Adaptive Array R2 2.88 TB FIO Cache Bundle
- * HPE Nimble Storage Embedded 10GBASE-T 2-port FIO Adapter
- * HPE Nimble Storage C19 to C20 250V 16 Amp 1.8m PDU Base Array FIO Power Cord

NEW QUESTION 184

Which web service uses basic CRUD operations performed on resources using HTTP Post, Get, Put, Delete, and Patch?

- * cURL
- * REST
- * CORBA
- * SOAP

NEW QUESTION 185

A customer is planning to deploy a new Top of Rack solution. They plan to use a stacking technology that meets the following requirements:

Support for Multi Chassis Link Aggregation in an active-active mode.

The control plane must not be a single point of failure.

Rapid Fail-over. Unified Management.

They require a maximum of two switches per stack.

Which stacking technology meets the customer's requirements?

- * HPE Intelligent Resilient Framework (IRF)
- * HPE Distributed Trunking
- * Aruba Virtual Switching Extension (VSX)
- * Aruba Virtual Switching Framework (VSF)

NEW QUESTION 186

A solution Integrator is installing new equipment to the rack Click the recommended location area for R3000 Gen5 UPS.





NEW QUESTION 187

A customer has two HPE ProLiant Gen10 servers. They both require firmware installation.

Which HPE tool should you recommend for performing this task?

- * OneView Advanced
- * iLO Amplifier Pack
- * Smart Update Manager
- * OneView Standard

Reference:

https://www.hpe.com/emea_europe/en/servers/smart-update.html

NEW QUESTION 188

Match the speed and protocol with the appropriate component.

Component	Speed and Protocol
SFP+	12 Gb SAS
SFP28	16 Gb FC
Mini-SAS HD x4	25GbE

Component	Speed and Protocol
SFP+	Mini-SAS HD x4 12 Gb SAS
SFP28	SFP+ 16 Gb FC
Mini-SAS HD x4	SFP28 25GbE

NEW QUESTION 189

A customer needs to add storage capacity to a host in a remote branch office. They have limited IT resources, so the solution requires ease of integration at a low price point.

Which HPE Storage family best meets these needs?

- * HPE D3000 Enclosure
- * HPE 3PAR StoreServ
- * HPE MSA Storage Array
- * HPE Nimble Storage

NEW QUESTION 190

You have configured a port on an HPE FlexFabric 5900 series switch that is connected to a VMware ESXi server to support multiple VLANs.

```
interface Ten-GigabitEthernet 1/0/11 description server ESXi01 -eth1 port link-type trunk
port trunk permit vlan 50 port trunk permit vlan 2 port trunk pvid vlan 50
```

Given the configuration above, what should happen to any of the untagged traffic coming from the VMware ESXi host?

- * The untagged traffic will be dropped.
- * The untagged traffic will be transmitted in vlan 2.
- * The untagged traffic will be transmitted in vlan 50.
- * The untagged traffic will be transmitted in vlan 1.

NEW QUESTION 191

In which protocol are REST API requests transported?

- * HTTP
- * CRUD
- * SOAP
- * SSH

Explanation/Reference: https://techhub.hpe.com/eginfolib/servers/docs/HPRestfultool/iLo4/data_model_reference.html

NEW QUESTION 192

A customer is planning to purchase new MPE rack-mount servers for their data center. The customer has an exist? storage environment and wants to minimize required rack space and local storage.

Which HPE server should they install?

- * ProLiant DL360 Gen 10
- * ProLiant ML350 Gen 10
- * ProLiant DL390 Gen 10
- * ProLiant BL-460C Gen 10

NEW QUESTION 193

A customer with limited IT administration resources needs a complete HPE server, storage, and networking solution. The solution must be able to be deployed in an hour or less through a simple, wizard-based setup. They want to manage the HPE solution through a simple, integrated plug-in to vCenter, since their IT staff members are already familiar with vCenter.

Which HPE solution best meets the customer requirements?

- * HPE ConvergedSystem 750
- * HPE ProLiant for Microsoft Azure Stack
- * HPE Nimble Storage dHCI
- * HPE OneView for VMware vCenter

NEW QUESTION 194

Match each HPE solution to its corresponding technology usage.

HPE Solution	Usage
HPE OneView Advanced	single-pane management and monitoring for selected HPE devices
HPE ProLiant	industry-leading server platform for a broad range of workloads
HPE Simplivity	purpose-built hyperconverged solution

HPE Solution	Usage	
HPE OneView Advanced	HPE OneView Advanced	single-pane management and monitoring for selected HPE devices
HPE ProLiant	HPE ProLiant	industry-leading server platform for a broad range of workloads
HPE Simplivity	HPE Simplivity	purpose-built hyperconverged solution

Explanation

Answer Area

HPE Solution

Usage

HPE OneView
Advanced

HPE OneView
Advanced

single-pane management and monitoring
for selected HPE devices

HPE ProLiant

HPE ProLiant

industry-leading server platform for a broad
range of workloads

HPE Simplivity

HPE Simplivity

purpose-built hyperconverged solution

NEW QUESTION 195

A customer needs a new environment to support an ERP system. The sizing information you received shows the following requirements:

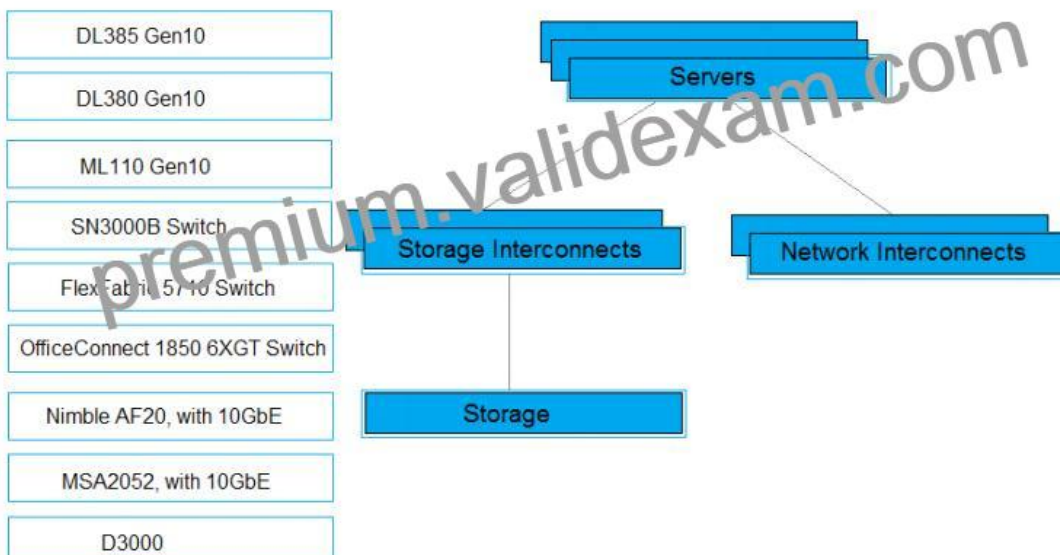
- * 3 servers with dual AMD processors, 256GB RAM, and 10Gb network connectivity
- * 10TB of high performance shared storage
- * Cloud-based performance monitoring and analytics

The customer prefers rack mounted equipment.

Identify the components that will meet the customer requirements, then drag the correct components on the left to their appropriate location in the environment on the right.

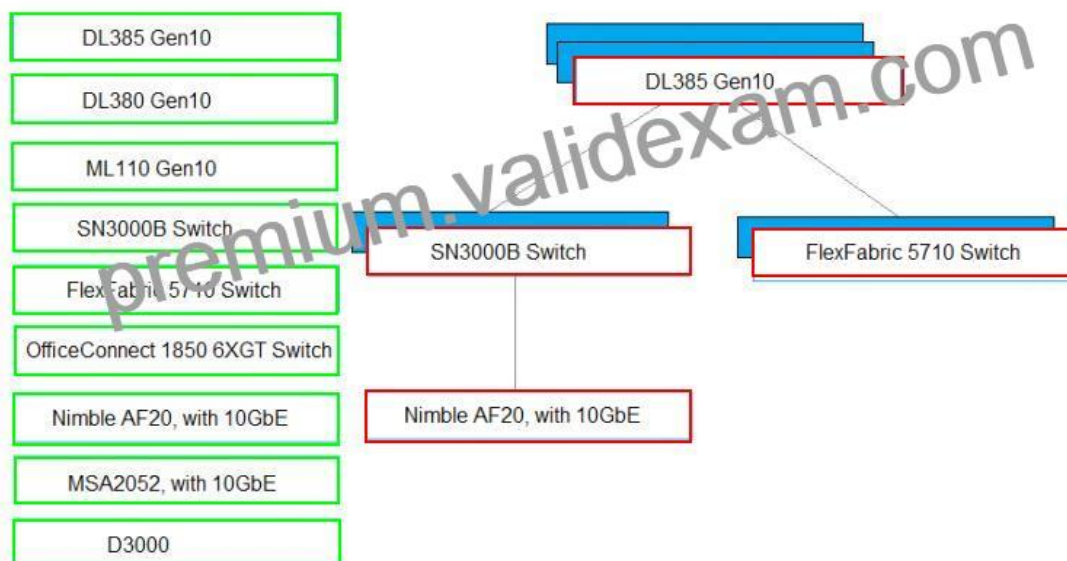
Select and Place:

Answer Area



Select and Place:

Answer Area



HP HPE0-V14: Building HPE Hybrid IT Solutions Exam Topics

Candidates must know the exam topics before they start preparation. Because it will help them in hitting the core. Our **HPE0-V14 exam dumps** will include the following topics:

Describe, differentiate, and apply industry-standard, foundational SMB architectures, and technologies

- Identify and explain industry-standard IT technologies used in small and medium-sized solutions and their use cases

Recommend and position HPE products, solutions, and appropriate services for use cases

- Given a use case, recommend the appropriate HPE products, solutions, and services to meet the business requirement

Evaluate customer environment, and plan and design solutions using the HPE portfolio to meet customer requirements

- Given customer requirements, design an HPE network solution to meet those requirements.- Identify and describe planning, design, and sizing tools and when to use them.- Given customer requirements, design an end-to-end, small to medium-sized HPE solution to meet those requirements- Given customer requirements, design an HPE storage solution to meet those requirements- Given customer requirements, design an HPE server solution to meet those requirements

Install, configure, and upgrade HPE solutions and their components and validate the implementation

- Given a solution, configure and validate the server, storage, and/or networking components including integrating subsystems.- Install physical solution systems including racking, power, and cabling connections

Troubleshoot and remediate HPE solution components

- Identify the tools and methods to troubleshoot and remediate an HPE solution and when to use each tool and method- Analyze, troubleshoot, and remediate HPE solutions including component integrations(server, storage, and networking)

Manage, monitor, administer, and operate HPE solutions and their components

- Manage HPE solutions and subsystems to ensure the solution continues to meet customer requirements **Latest HPE0-V14**

Exam Dumps HP Exam from Training: <https://www.validexam.com/HPE0-V14-latest-dumps.html>