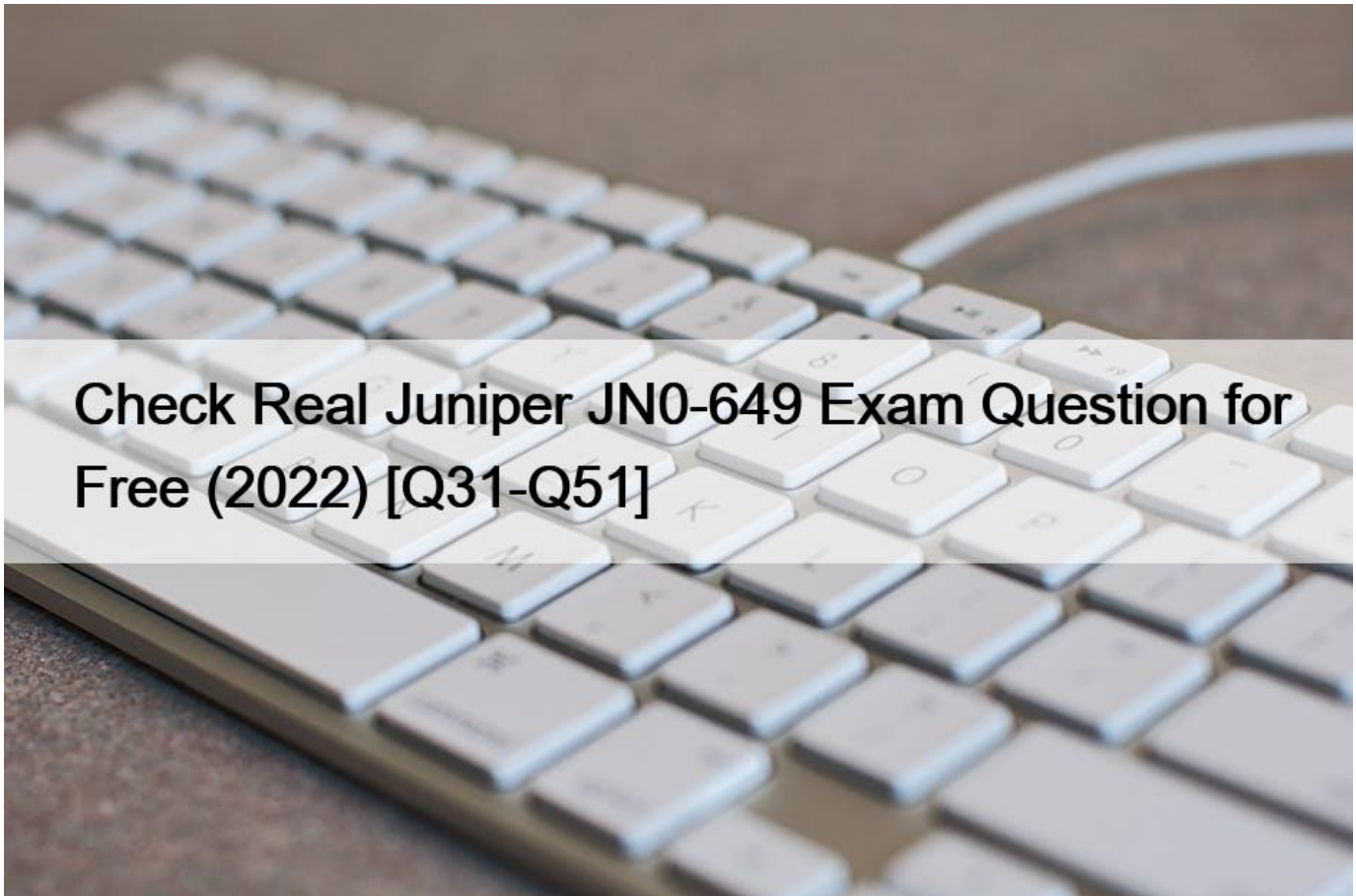


Check Real Juniper JN0-649 Exam Question for Free (2022) [Q31-Q51]



Check Real Juniper JN0-649 Exam Question for Free (2022) Get Ready to Boost your Prepare for your JN0-649 Exam with 65 Questions

Juniper JN0-649 Exam Syllabus Topics:

TopicDetailsTopic 1- Demonstrate knowledge of how to configure, troubleshoot, or monitor MSTP or VSTP- Describe the concepts, operation or functionality of advanced Ethernet switchingTopic 2- Describe the concepts, operation, or functionality of BGP- Describe the concepts, operation, or functionality of IGPsTopic 3- Demonstrate knowledge of how to configure, troubleshoot, or monitor CoS for Layer 2 or 3 networks- CoS processing on Junos devicesTopic 4- Demonstrate knowledge of how to configure, troubleshoot, or monitor IP multicast- Describe the concepts, operation, or functionality of IP multicastTopic 5- Components of IP multicast, including multicast addressing IP multicast traffic flow- Any-Source Multicast (ASM) vs. Source-Specific Multicast (SSM)Topic 6- Describe the concepts, operation, or functionality of Junos CoS for Layer 2- 3 networks- Power over Ethernet (PoE)Topic 7- Given a scenario, demonstrate knowledge of how to configure, troubleshoot, or monitor BGP- BGP route selection processTopic 8- Given a scenario, demonstrate knowledge of how to configure, troubleshoot, or monitor IGPs- BGP attributes: concept and operationTopic 9- Load balancing - multipath, multihop, forwarding table- Interior Gateway Protocols (IGPs)

QUESTION 31

Referring to the exhibit, which statement is true?

```
user@switch# run show dot1x interface detail
ge-0/0/15.0
  Role: Authenticator
  Administrative state: Auto
  Supplicant mode: Single-Secure
  Number of retries: 3
  Quiet period: 60 seconds
  Transmit period: 30 seconds
  Mac Radius: Enabled
  Mac Radius Restrict: Disabled
  Reauthenticat. C.t.on: Enabled
  Configured Reauthentication interval: 3600 seconds
  Supplicant timeout: 30 seconds
  Server timeout: 30 seconds
  Maximum EAPOL requests: 2
  Guest VLAN member: guest
  Number of connected supplicants: 1
    Supplicant: 50c58dbaed16, 50:C5:8D:BA:ED:16
      Operational state: Authenticated
      Backend Authentication state: Idle
      Authentication method: Server-Fail Vlan
      Authenticated VLAN: guest
      Session Reauth interval: 3600 seconds
      Reauthentication due in 3393 seconds
```

- * Only 802.1X authentication will be used for devices connecting to ge-0/0/15
- * The current device is authenticated using MAC RADIUS
- * Additional users will automatically be allowed to connect to ge-0/0/15
- * The current device was allowed after authentication attempts to the RADIUS server failed

QUESTION 32

You are implementing 802.1x authentication in your Layer 2 network. Each user will have a computer and a phone and you must ensure that both device are authenticated individually. In this scenario, which supplicant mode should be used?

- * Single-secure
- * Single
- * Captive-portal
- * multiple

QUESTION 33

The policy shown in the exhibit is applied as an export policy to your BGP neighborship.

Which action will be taken for route 12.233.45.5?

```
Exhibit
(edit)
user@router# show policy-options
prefix-list known-ok-sites {
  10.10.0.0/16;
  12.233.0.0/18;
  172.16.0.0/24;
  192.168.12.0/24;
}
prefix-list known-dir-bcast-sites {
  10.2.0.0/16;
  12.233.45.0/24;
  172.16.0.3/32;
  192.168.1.0/24;
}
policy-statement prefix-list-policy {
  term 1 {
    from {
      prefix-list known-ok-sites;
    }
    then accept;
  }
  term 2 {
    from {
      prefix-list known-dir-bcast-sites;
    }
    then reject;
  }
  term 3 {
    from {
      route-filter 12.233.45.5/32 exact;
    }
    then next policy;
  }
}
```

- * It will be evaluated by the next policy.
- * It will be accomplished by term 1.
- * It will be accepted by term 1.
- * It will be rejected by term 2.
- * It will be accepted by the default policy

QUESTION 34

Click the Exhibit button.

```
{master:0} [edit]
user@router# show firewall three-color-policer main-policer
action {
  loss-priority high then discard;
}
single-rate {
  color-aware;
  committed-information-rate 40m;
  committed-burst-size 100k;
  excess-burst-size 200k;
}
```

You have configured and applied the policer shown in the exhibit to your Junos device.

Which statement is true in this scenario?

- * Traffic exceeding the committed-burst size will be marked with a loss priority of high.
- * Traffic exceeding the excess-burst size will be discarded.
- * Traffic exceeding the committed-information-rate will be rate limited.
- * Traffic exceeding the committed-burst size will be discarded.

Red–Traffic that exceeds the burst size for peak traffic (EBS), single-rate marks packets with an implicit loss priority of high and, optionally, discards the packets.

https://www.juniper.net/documentation/en_US/junos/topics/topic-map/policer-single-rate-three-color.html

<https://www.juniper.net/documentation/us/en/software/junos/routing-policy/topics/topic-map/policer-single-rate-three-color.html>

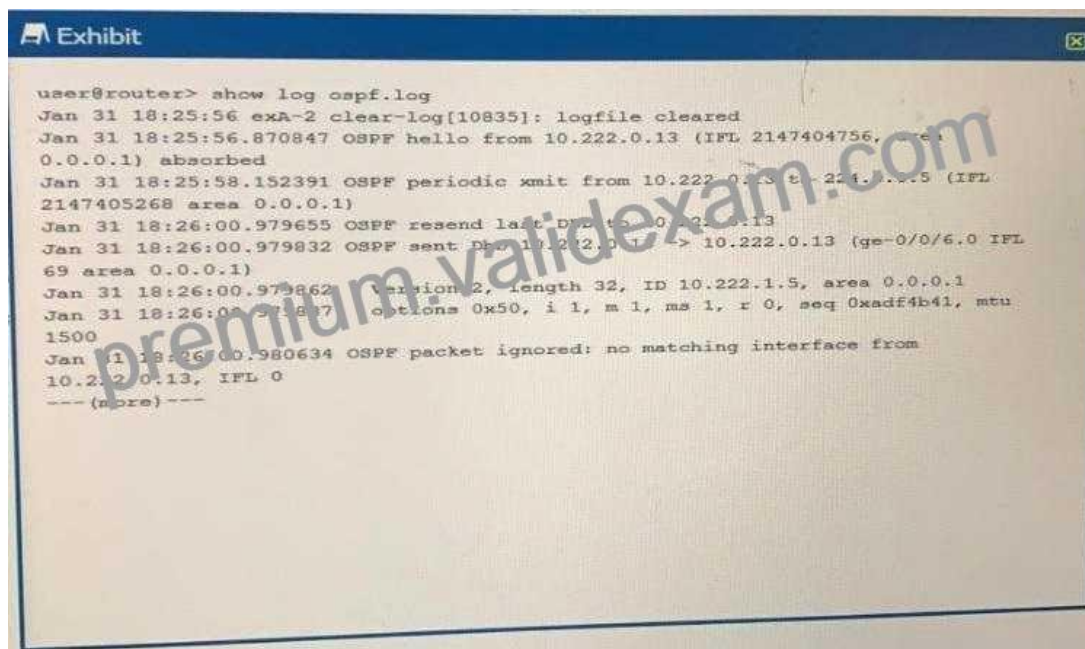
QUESTION 35

Which protocol allows a switch to pass configuration information to an IP phone?

- * BFD
- * IPv6
- * LLDP-MED
- * VCCP

QUESTION 36

Referring to the log shown in the exhibit, what is the problem with the OSPF adjacency establishment?



- * The interface IP addresses on the subnet are duplicates.
- * There is an MDS authentication mismatch.
- * The referenced IP address does not exist on the network segment.
- * The OSPF database description packet is malformed.

QUESTION 37

You have configured MSTP in your Layer 2 network.

You are having problems with it establishing correctly.

Referring to the exhibit, what is causing the problem?

```
user@switch-1> show spanning-tree mstp configuration
MSTP information
Context identifier      : 0
Region name            : L2-MSTP
Revision               : 1
Configuration digest   : 0x8edc0c5699e5c50ec011c3858a3801cf

MSTI Member VLANs
 0 0-10, 13-14, 16-4094
 1 11, 15
 2 12

user@switch-2> show spanning-tree mstp configuration
MSTP information
Context identifier      : 0
Region name            : L2-MSTP
Revision               : 1
Configuration digest   : 0xbe0284d20f4d46a8da89c5d9b3b4f78a

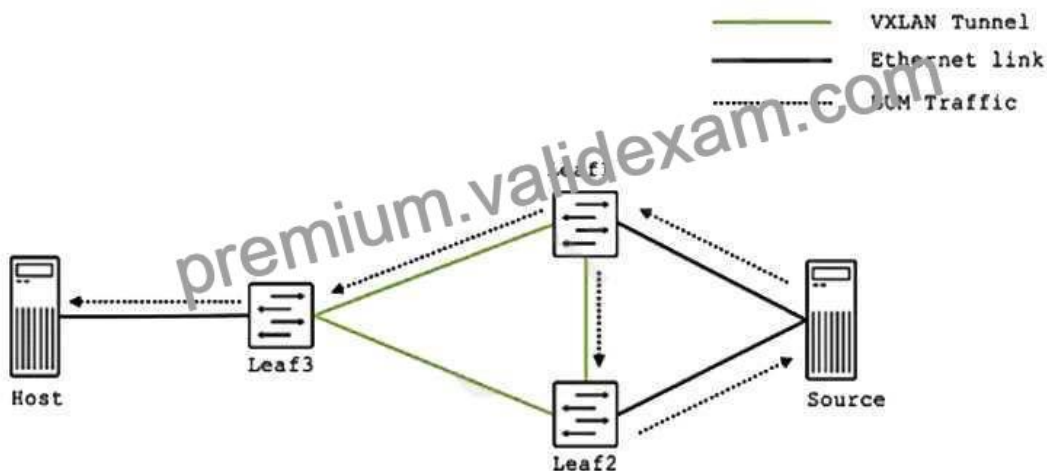
MSTI Member VLANs
 0 0-10, 13-4094
 1 11
 2 12
```

- * You must assign a context ID number other than zero
- * The MSTI-to-VLAN mapping does not match
- * The region name is not correct
- * The revision number is the same on both devices

QUESTION 38

You are troubleshooting an EVPN-VXLAN IP fabric and observe the loop shown in the exhibit.

Which two steps would you take to further troubleshoot this problem? (Choose two.)

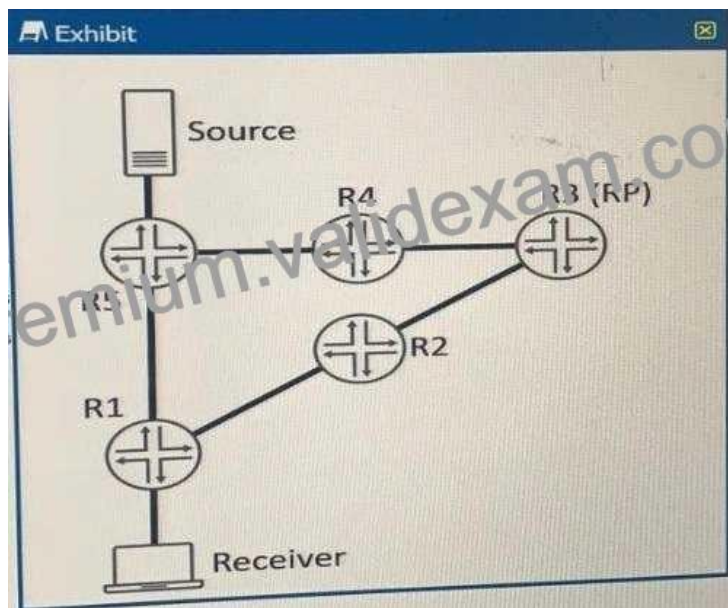


- * Verify that the same ESI is configured on the link from the host and that it matches the source.
- * Issue the show route table bgp.evpn.0 command on Leaf2 and verify that Type 4 routes are present.
- * Issue the show route table bgp.evpn.0 command on Leaf2 and verify that Type 3 routes are present.
- * Verify that the same ESI is configured on the two links from the source.

QUESTION 39

Referring to the exhibit, a RMSM network is set up to enable communication between multicast devices.

Which statement is true in this scenario?



- * After the formation of the shortest-path tree, a join message is sent from R2 to R1.
- * After the formation of the shortest-path tree, a join message is sent from R1 to R5
- * After the formation of the shortest-path tree, a prune message is sent from R1 to R2.
- * After the formation of the shortest-path free, a prune message is sent from R1 to R5.

QUESTION 40

You are deploying IP phones in your Layer 2 network and are asked to ensure that the switch sends VLAN and CoS information to the IP phones automatically.

In this scenario, which protocol should be used?

- * PoE
- * PoE+
- * LLDP
- * LLDP_MED

QUESTION 41

Which statement is correct about IS-IS?

- * IS-IS uses areas and an autonomous system.
- * Level 1/2 routers automatically inject a default route to the nearest Level 1 router.

- * Level 2 routers must share the same area address.
- * Level 1 routers route traffic between autonomous systems.

QUESTION 42

A BA classifier, input policer, and a multifield classifier are applied to an interface in which order are these features processed?

- * policer -> BA classifier -> multifield classifier
- * BA classifier -> multifield classifier -> policer
- * multifield classifier -> BA classifier -> policer
- * policer > multifield classifier -> BA classifier

QUESTION 43

You are troubleshooting a route problem in the topology shown in the exhibit. The 10.30.0.0/24 route is not reachable from the R3 router. What would cause this problem?

```

{master:0}
user@R3> show route

inet.0: 8 destinations, 8 routes (7 active, 0 holddown, 1 hidden)
+ = Active Route, - = Last Active, * = Both

---
10.1.3.0/24      *[Direct/0] 00:13:55
                 > via ge-0/0/6.300
10.1.3.2/32     *[Local/0] 00:13:55
                 Local via ge-0/0/6.300
10.31.0.0/24    *[BGP/170] 00:00:00, localpref 100
                 AS path: 65414 I, validation-state: unverified
                 < 10.1.3.1 via ge-0/0/6.300
10.210.14.221/7 *[Direct/0] 19w0d 01:47:22
                 > via me0.0
10.10.1.1.26/32 *[Local/0] 22w4d 17:39:04
                 Local via me0.0

{master:0}
user@R3> show route hidden

inet.0: 8 destinations, 8 routes (7 active, 0 holddown, 1 hidden)
+ = Active Route, - = Last Active, * = Both

10.30.0.0/24    [BGP/170] 00:00:10, localpref 100, from 10.1.3.1
                 AS path: 65414 I
                 Unusable
    
```

- * R3 does not have a route to the BGP next hop of 10.30.0.0/24
- * R4 is not advertising the 10.30.0.0/24 route to R3
- * R3 does not have an established BGP session with R4.
- * R3 does not have an OSPF route for 10.30.0.0/24

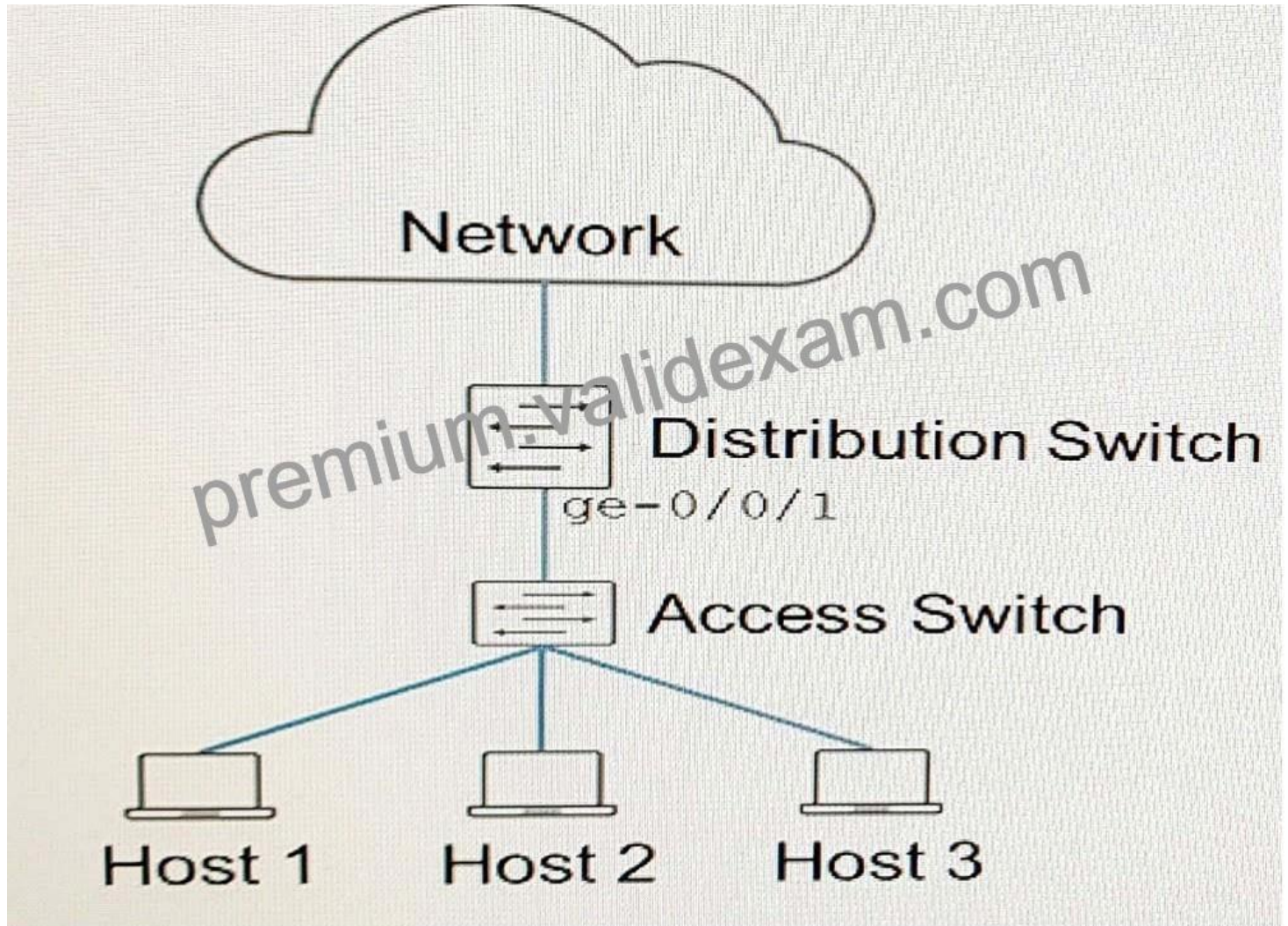
QUESTION 44

Which address range is used for source-specific multicast?

- * 239.0.0.0/8
- * 233.0.0.0/8
- * 232.0.0.0/8
- * 224.2.0.0/16

QUESTION 45

You have deployed the access control configuration to the distribution switch.



```
{master: 0} [edit]
user@switch# show protocols dot1x
authenticator {
  interface {
    ge-0/0/1.0 {
      supplicant single-secure;
    }
  }
}
```

Referring to the exhibit, which statement is true?

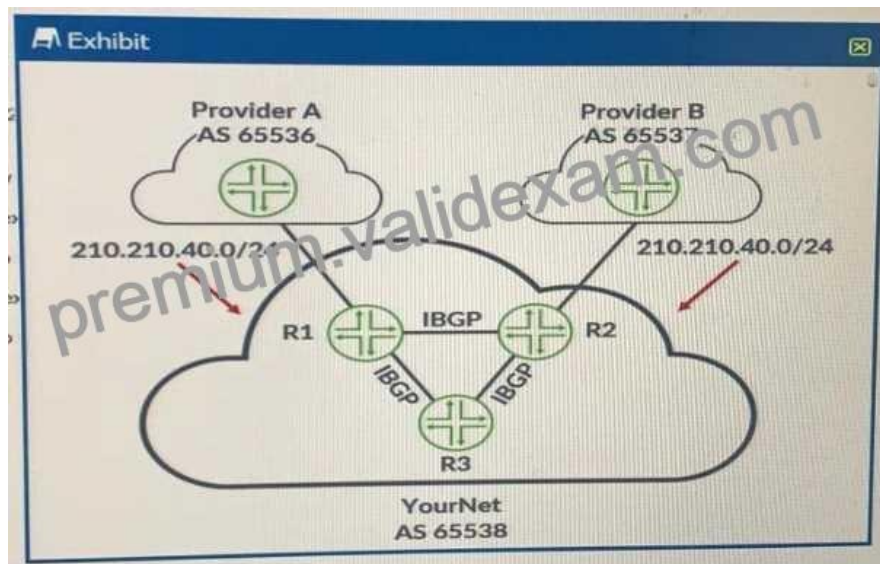
- * All hosts connected to the access switch will have access to the work after one device authenticates.
- * All hosts connected to the access switch require authentication to access the network.
- * Only the first host to authenticate will have access to the network; other hosts will be blocked.

- * All hosts connected to the access switch will have access to the network without authentication.

QUESTION 46

Your Net is learning the 210.210.40.0/24 route from Provider A and Provider B YourNet would like to forward traffic destined to the 210.210.40.0/24 networking using Provider B.

Referring to the exhibit, how would you accomplish this task?



- * Add the well-known no-export community to the routes learned through R2.
- * Apply an export policy to R1's IBGP peers to set a higher local preference.
- * Add the well-known no-export community to the routes learned through R1.
- * Apply an export policy to R2's IBGP peers to set a Their local preference.

QUESTION 47

Which three databases are used by the Dijkstra algorithm? (Choose three.)

- * Tree database
- * Link State Database
- * Candidate database
- * MAC database
- * Configuration database

QUESTION 48

You enable the Multiple VLAN Registration Protocol (MVRP) to automate the creation and management of virtual LANs.

Which statement is correct in this scenario?

- * The forbidden mode does not register or declare VLANs.
- * When enabled, MVRP affects all interfaces.
- * Timers dictate when link state changes are propagated.
- * MVRP works with RSTP and VSTP.

QUESTION 49

Your EX Series switch has IP telephones and computers connected to a single switch port. You are considering implementing the voice VLAN feature to help with this setup. In this scenario, which two statements are correct? (Choose two.)

- * The voice VLAN feature must be used with LLDP-MED to associate VLAN ID and 802.1p values with the traffic.
- * The interfaces must be configured as access ports.
- * Assigning the incoming voice and data traffic to separate VLANs enables the ability to prioritize the traffic using CoS.
- * The voice VLAN feature will enable incoming tagged data and voice traffic to be associated with separate VLANs.

QUESTION 50

You want to create an OSPF area that only contains intra-area route information in the form of Type 1 and Type 2 LSAs.

In this scenario, which area is needed to accomplish this task?

- * totally non-to-stubby area
- * totally stubby area
- * stub area
- * non-to-stubby area

QUESTION 51

Which three types of ports are used for Junos Fusion Enterprise? (Choose three.)

- * extended port
- * authenticated port
- * cascade port
- * uplink port
- * designated port

Use Free JN0-649 Exam Questions that Stimulates Actual EXAM : <https://www.validexam.com/JN0-649-latest-dumps.html>